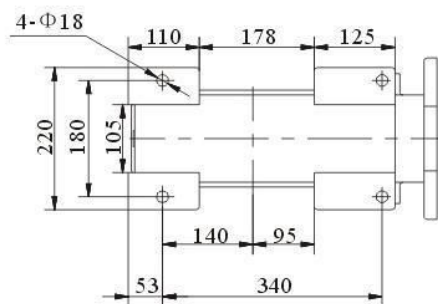
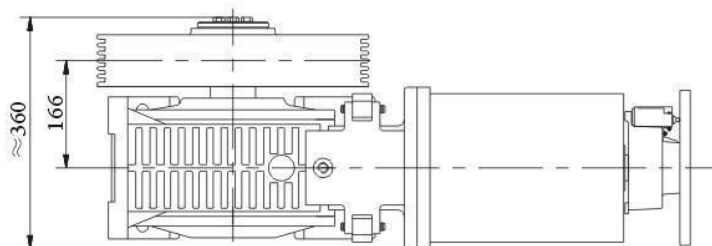
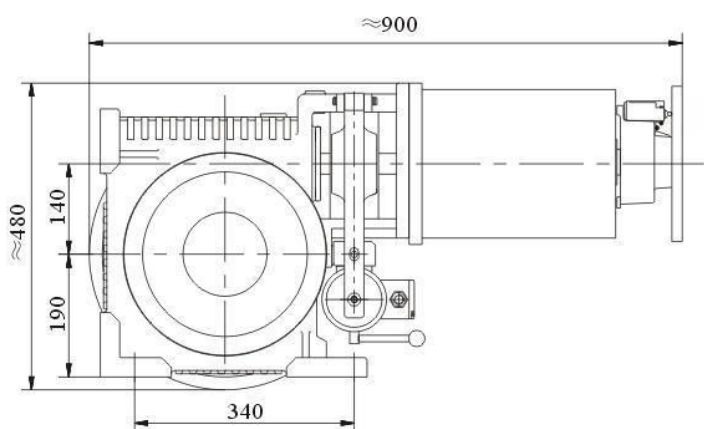
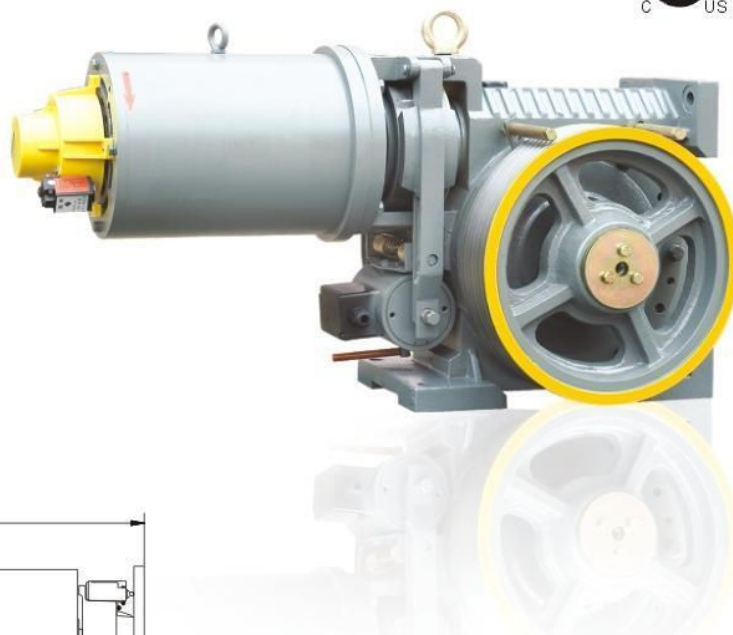




YJ140

Elevator Traction Machine

Max. Static Load: 2800kg
 Control: VVVF
 Brake: DC110V、1.0A
 Weight: 185kg



Load(kg)	Speed(m/s)	Ratio	Sheave(mm)	Rope(mm)	Power(kW)	Pole
400	0.5	51:1	340	5×8(pitch 12)	3.5	4
	0.63	51:1	425	4×10(pitch 16)	3.5	4
	1.0	51:2	340	5×8(pitch 12)	4.5	4
500	0.5	51:1	340	6×8(pitch 12)	3.5	4
	0.63	51:1	425	4×10(pitch 16)	4.5	4
	1.0	51:2	340	6×8(pitch 12)	5.5	4

1. Left sheave type is optional
2. This type machine can also provide AC2 motor, refer to the AC2 traction machine's select table in detail.